




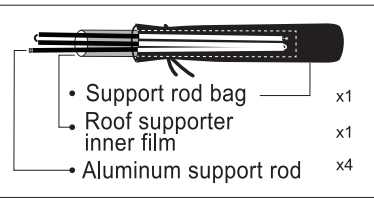







- ① Front wall
- ② Back wall
- ③ Left wall (logo side)
- ④ Right wall
- ⑤ Clamp
- ⑥ Frame
- ⑦ Anchor strap
- ⑧ Mosquito screen
- ⑨ Privacy flap
- ⑩ Felt rug
- ⑪ Tension rope
- ⑫ Rod pocket
- ⑬ Fixing ring
- ⑭ Rod
- ⑮ Magnet cord
- ⑯ Drainage hole




* Vehicle, table and chairs are NOT included *

Parts Diagram

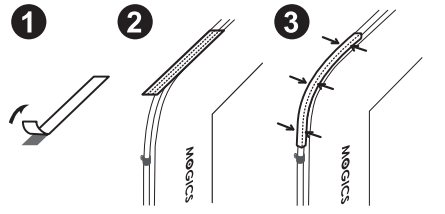
	
Storage bag x1	Rain-fly x1
	
Synthetic felt x1	Patch pack Yellow patch x 4 Black patch x 2
	
Support rod bag x1	<ul style="list-style-type: none"> • Support rod bag x1 • Roof supporter inner film x1 • Aluminum support rod x4
	<ul style="list-style-type: none"> Ceiling tension ropes  x1 (pair) Guy-ropes  x6 Screw-in peg  x6 Magnet cord  x2


Patch Instruction

 **Yellow Rectangle Patch**

Use on easily worn or already worn frame.

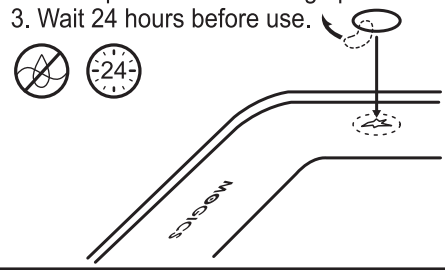
1. Clean the surface, and let it dry.
2. Apply the patch on the frame.
3. Center the patch and press it firmly.
4. Wait 24 hours before use.



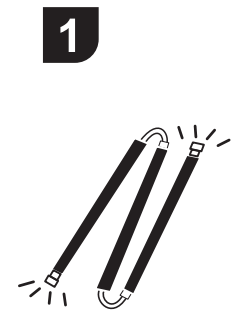
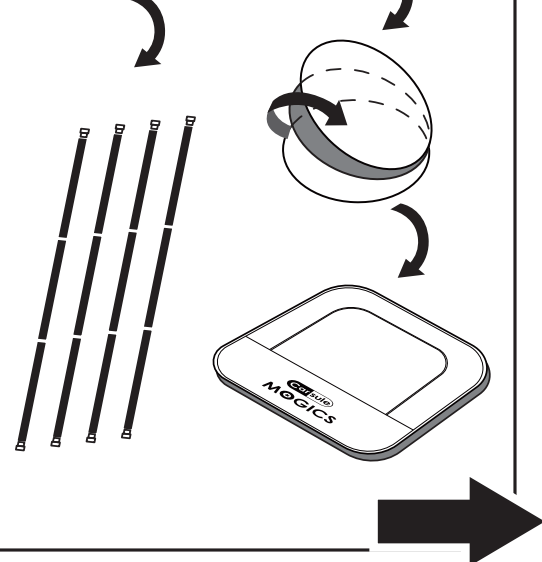
 **Black Circular Patch**

Use on damaged tent.

1. Keep surface clean and dry.
2. Paste patch on the damage part.
3. Wait 24 hours before use.



Assemble Preparation

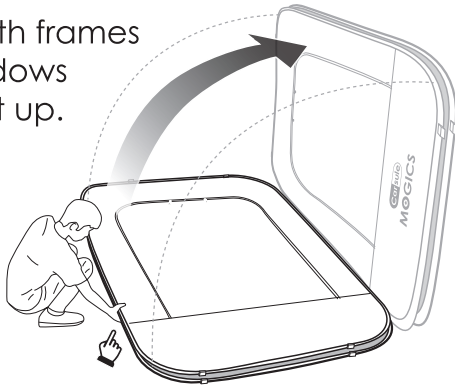



1

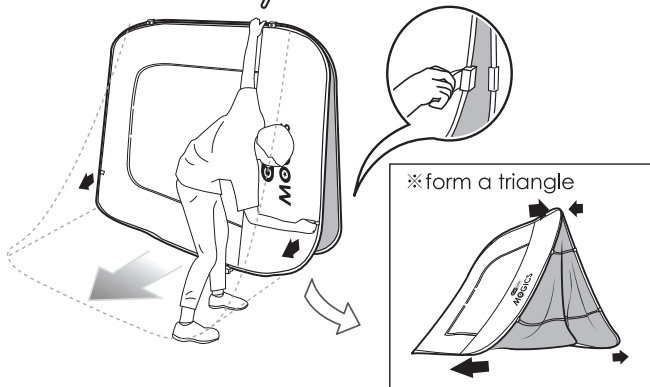
2



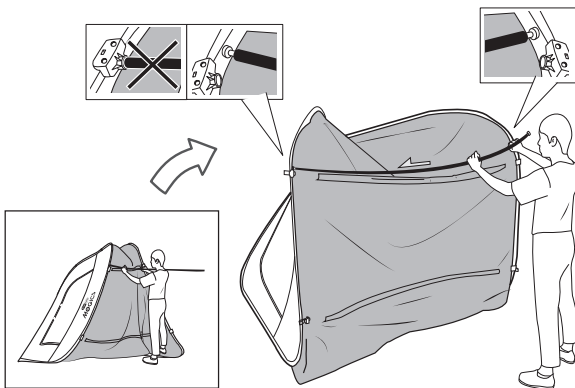
1 Hold both frames the windows and lift it up.



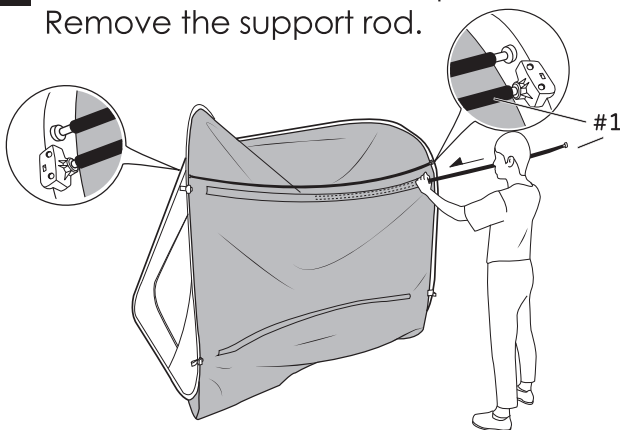
2 Hold the upper and lower frames, pull and wriggle outwards to form a triangle.



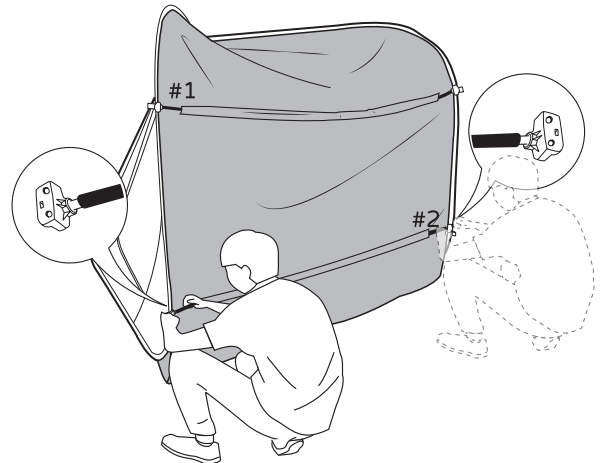
3 First, hold a pole against the fastener, slowly spread the pole to the other side, and without connecting it, hold the edge to form a support rod.



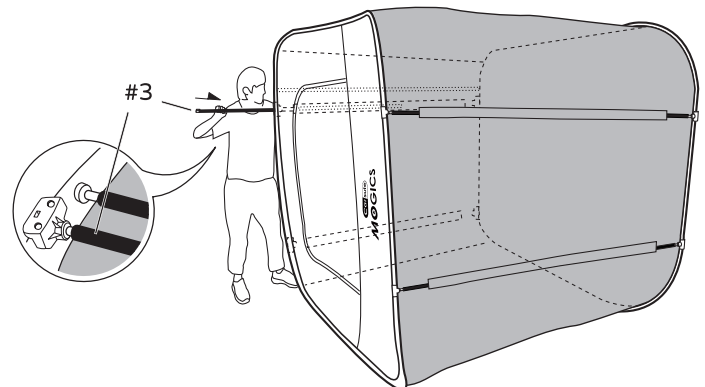
4 Insert rod #1 into the rod groove, and lock the rod into the clamp on both ends. Remove the support rod.



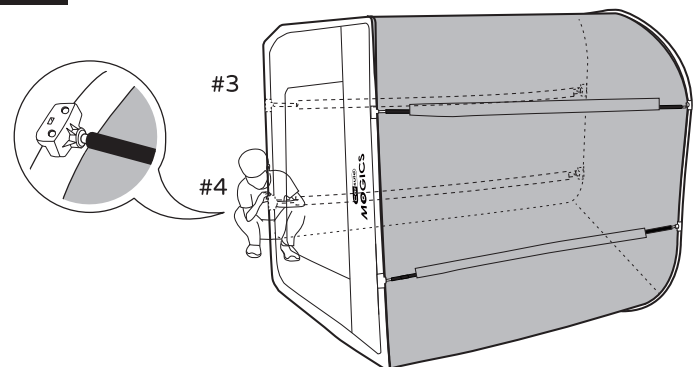
5 Insert the removed support rod into the rod groove, and lock it to the clamp on both ends.



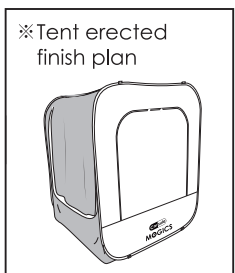
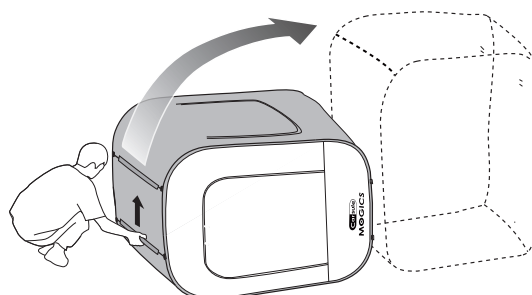
6 At the opposite side, refer to steps 3 and 4 to install rod #3.



7 Insert rod #4 into the rod groove and lock it to the clamp on both ends.



8 Grab the support pole at the top of the tent and lift it upwards.

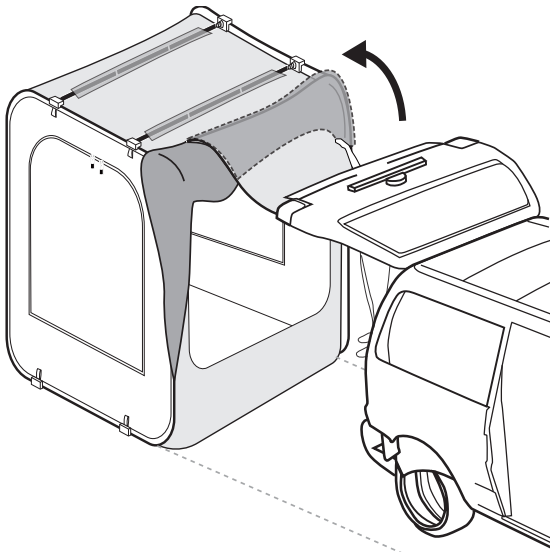


Attach to Vehicle

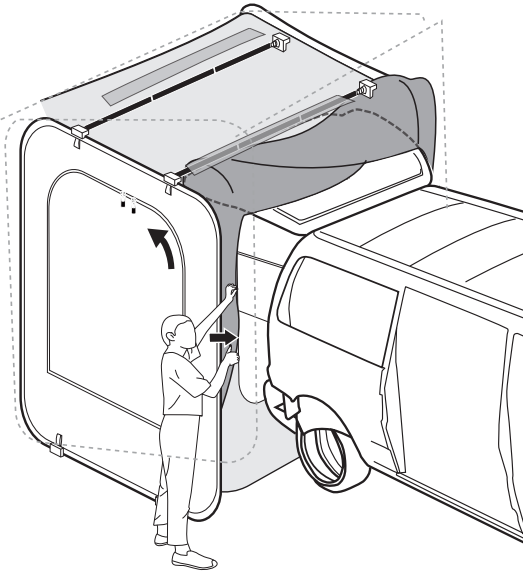
Instruction Video



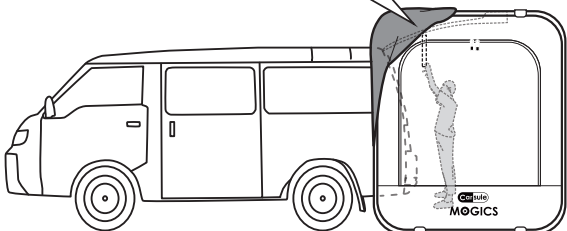
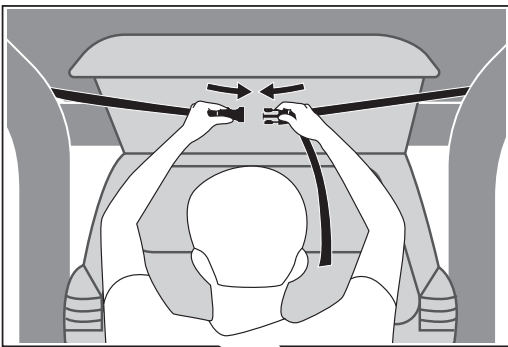
- 1** Open the rear car door. And lift the front door of the tent upwards.



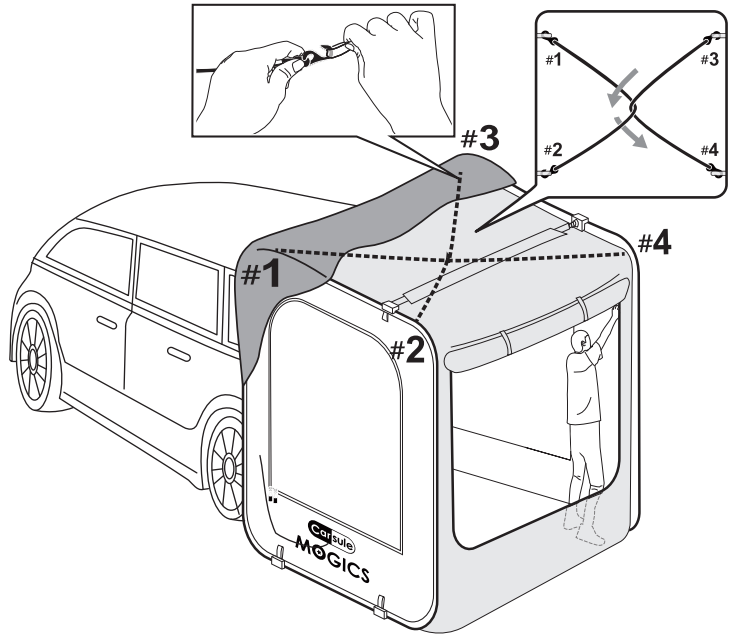
- 2** Lift tent from the front and move it close to the rear bumper.



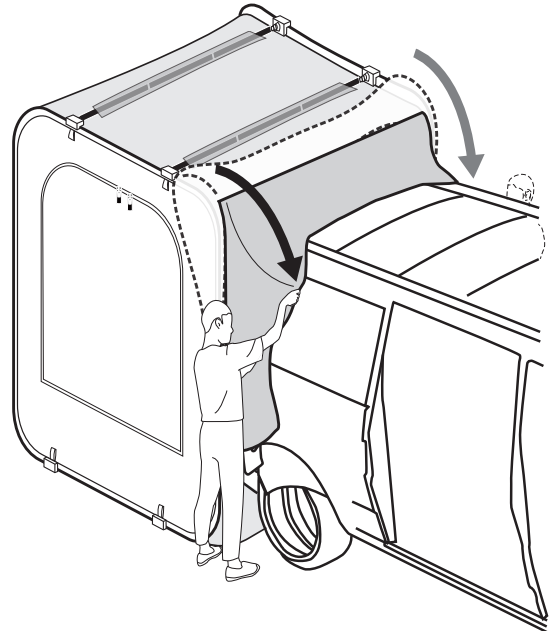
- 3** Buckle the anchor strap.



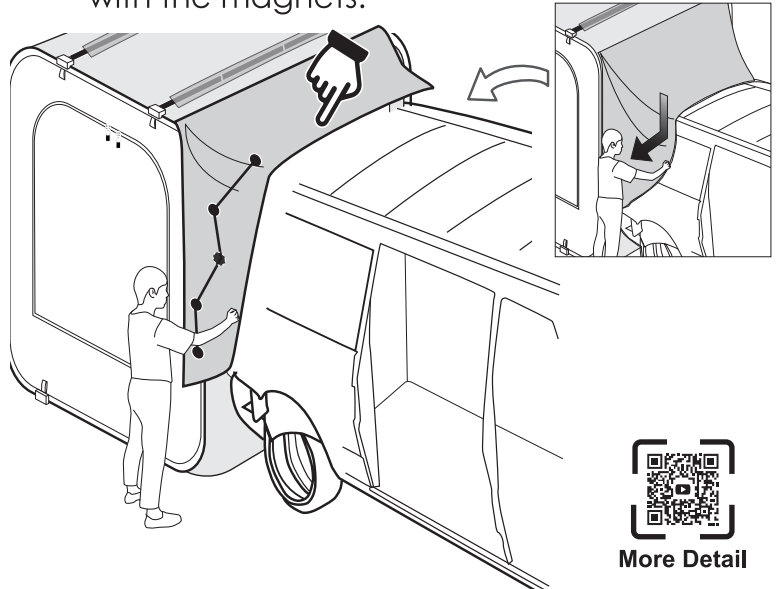
- 4** Hang the tension rope
Cross two ropes to make it tighter.



- 5** spread out the front flap to cover the trunk lid.



- 6** Fold the surplus flap down And fix it on the roof and both sides of the car with the magnets.



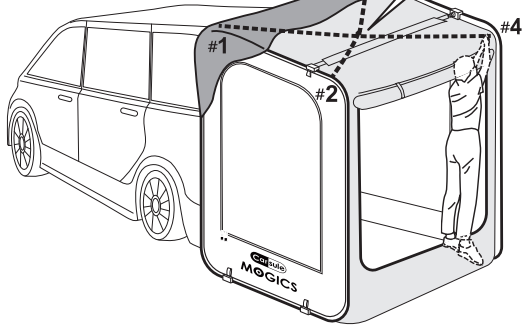
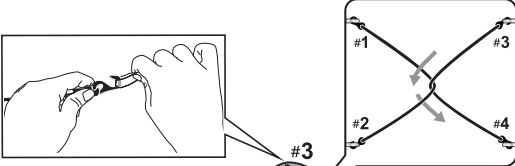
More Detail

Stand Alone Usage (Tension Rope Guy-Rope)

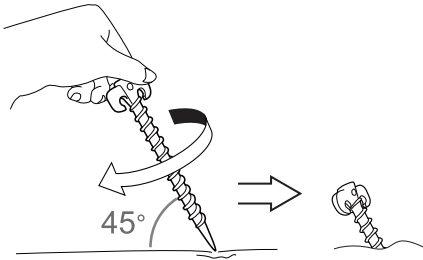
Please set up the guy-ropes when Carsule is set standing alone. It is not advised to use Carsule independently in strong wind.

Instruction Video 

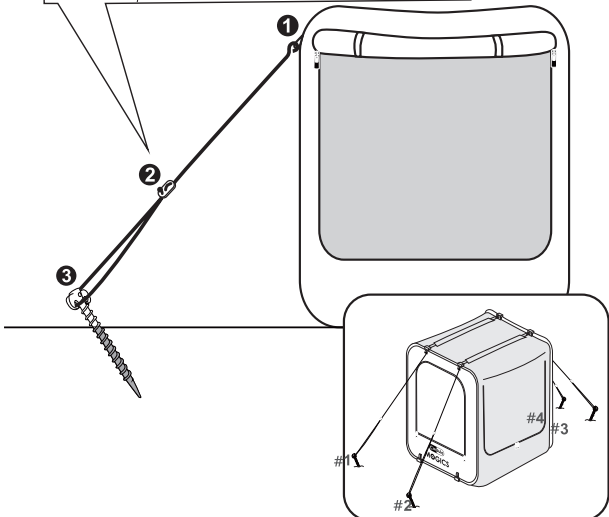
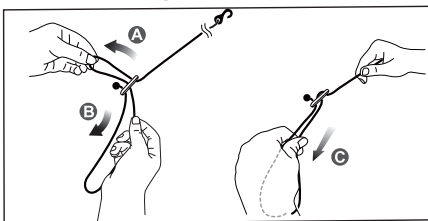
1 Hang the tension ropes.



2 Place the peg at 45 degrees to the ground, and swirl it downward into the ground.



3 Fix the guy-ropes on the fixing ring, and adjust the ropes to tie the pegs.

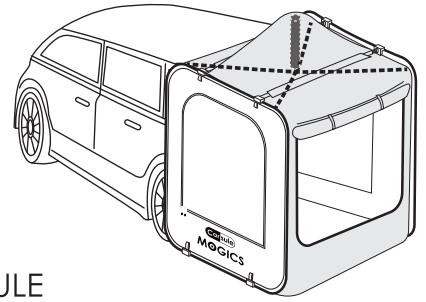


Roof Supporter & Rain-Fly

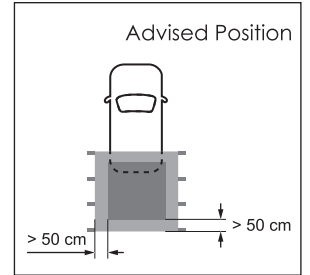
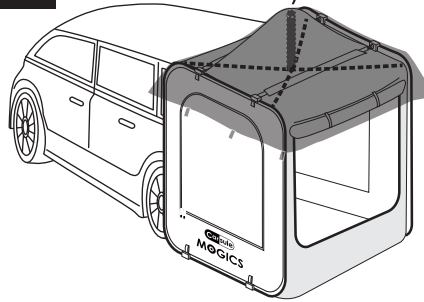
! Be sure to set up the roof supporter and rain-fly when raining.

Instruction Video 

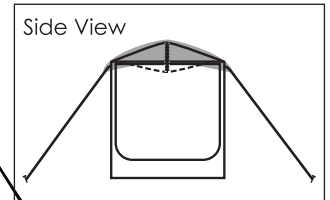
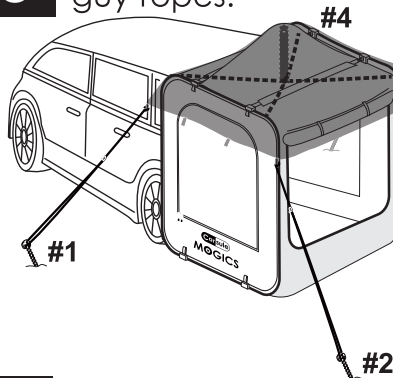
1 Insert the roof support.



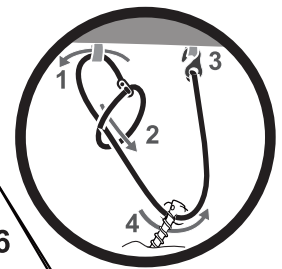
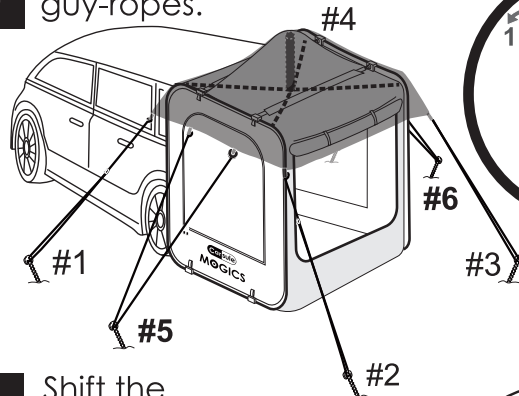
2 Cover CARSULE with the rain-fly.



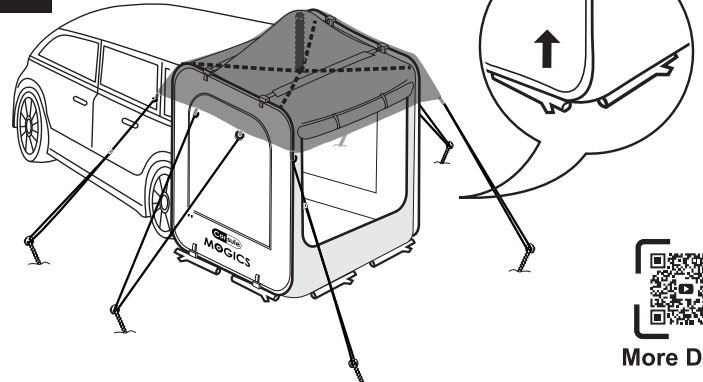
3 Fasten the corner guy-ropes.



4 Fasten the middle guy-ropes.

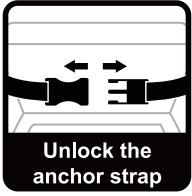


5 Shift the four corner.



More Detail

Disassembly Preparation

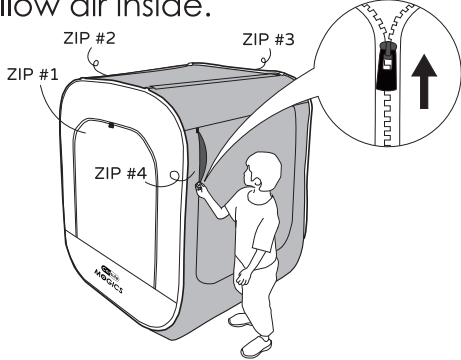


Fold the Carsule

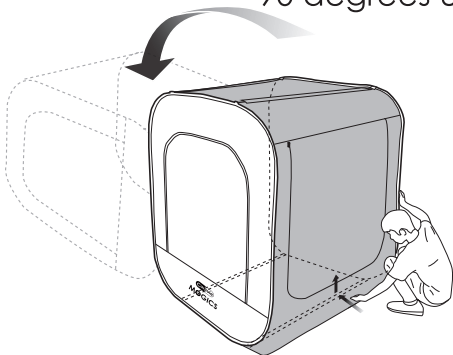
Instruction Video ▶



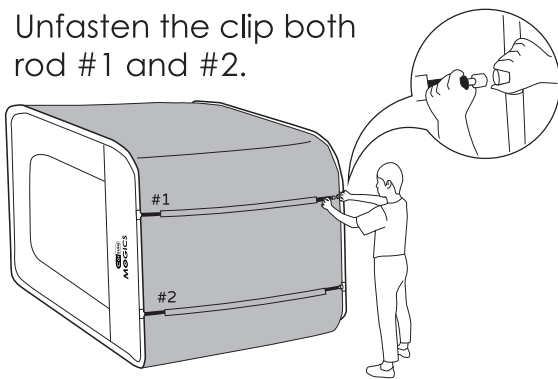
1 Zip up all the privacy curtains to allow air inside.



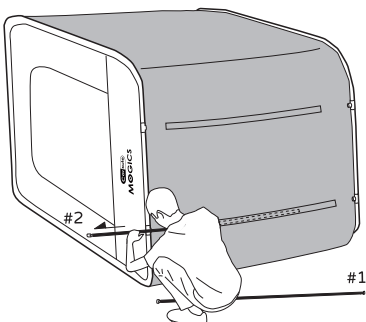
2 Hold the frame with one hand and the bottom horizontal bar with the other hand and rotate the tent 90 degrees upwards.



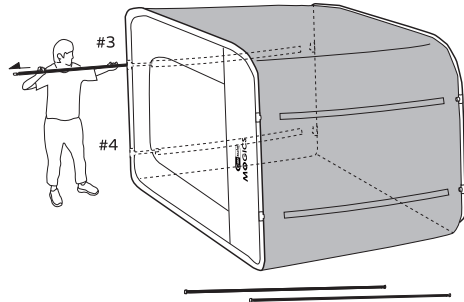
3 Unfasten the clip both rod #1 and #2.



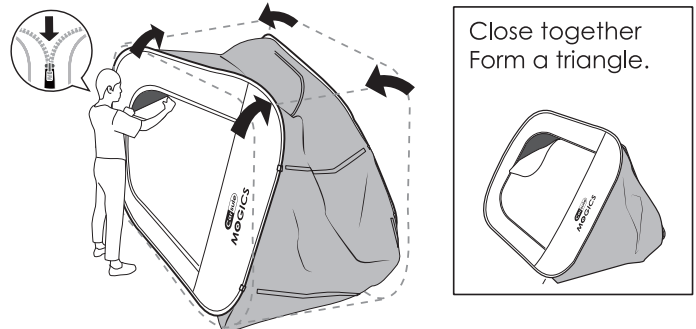
4 Proceed to the other side to unfasten and pull out rod #1 & #2.



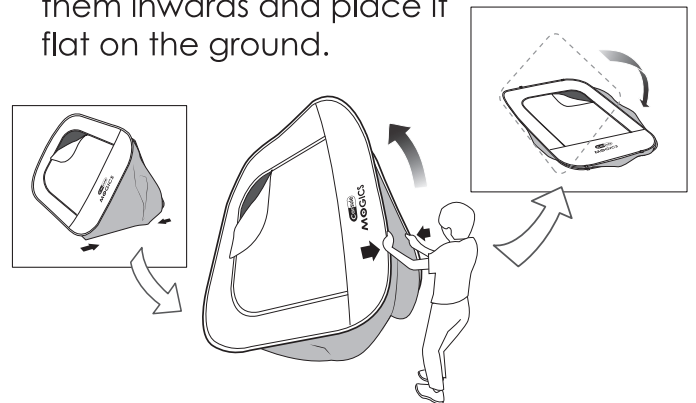
5 Repeating steps **3** and **4**, take out rod #3 and #4 on the opposite side.



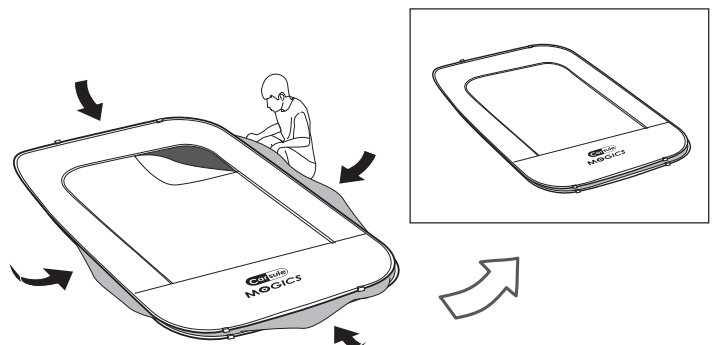
6 Unzip one of the windows to release the air in the tent.



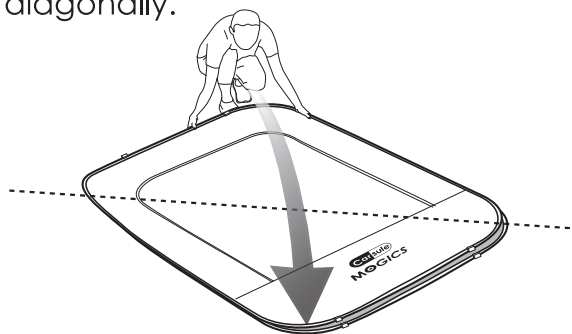
7 Hold the lower edge of both ends of the frame and lift them up slightly, and fold them inwards and place it flat on the ground.



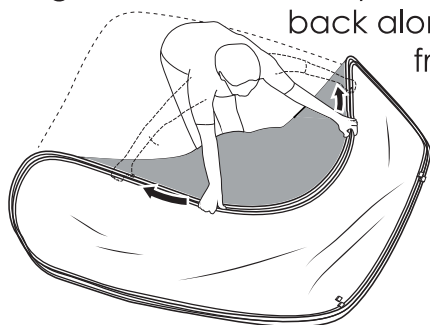
8 Tuck the protruding cloth inwards neatly.



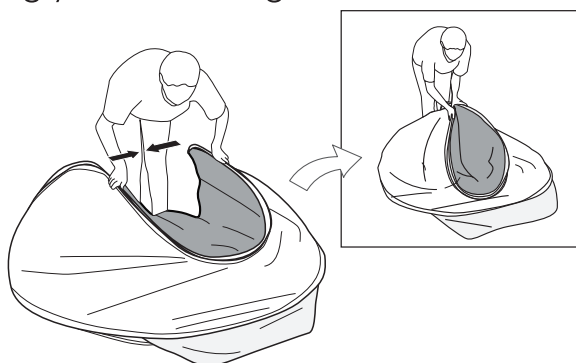
9 Hold the corner of the tent Fold tent in half diagonally.



10 Remaining in contact, move your hands back along the frames.



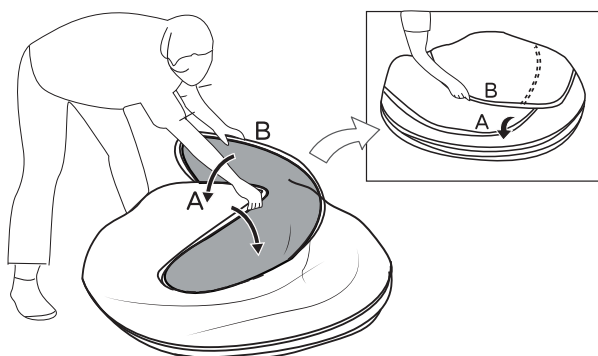
11 Bring your hands together to fold the sides.



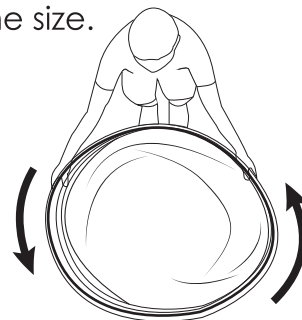
12 Tuck the middle circle inward and press it down.



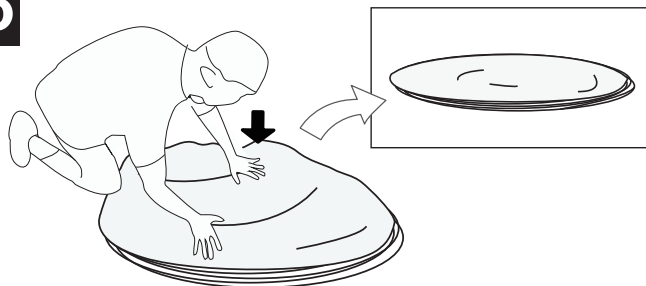
13 First press frame A to the middle, Then press frame B to the middle.



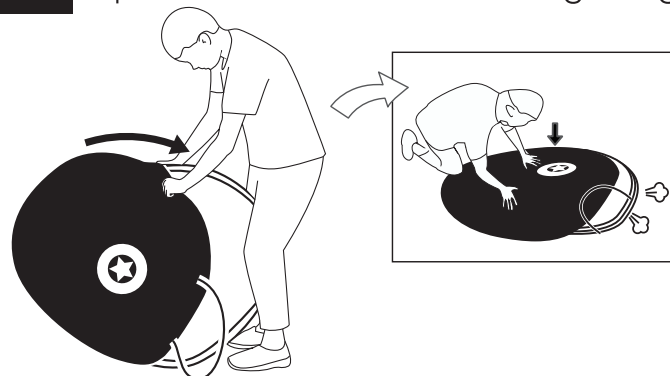
14 Twist and adjust the frame to get circles of the same size.



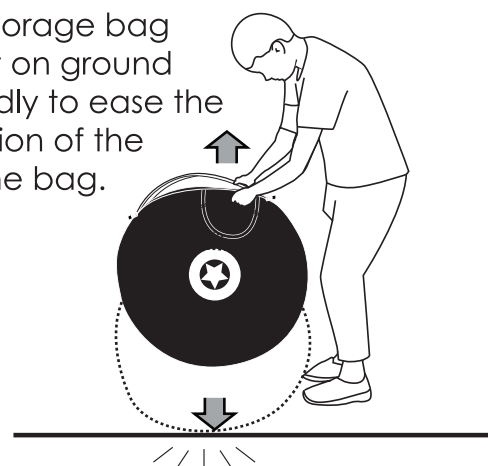
15 Squeeze out the air from the tent.



16 Put the tent in the bag and further squeeze out the air in the storage bag.



17 Lift the storage bag and hit it on ground repeatedly to ease the full insertion of the tent in the bag.



18 With one hand, press the tent into the storage bag, and with another, zip up to complete the tent storage.

